



HD Multi-Megapixel
Varifocal Lens



BEYOND THE NEXT FRONTIER

NEW HD Multi-Megapixel Varifocal lenses

Introducing the new lineup of HD Multi-Megapixel Varifocal lenses designed for day/night and low distortion applications.

Utilizing Kowa's advanced lens technology to incorporate XD (eXtra low Dispersion) glass and an aspherical lens, these HD Multi-Megapixel Varifocal lenses will pave the way for the possibilities high end surveillance.

Day & Night

0 Distortion (Below 0.35%)



LMVZ3510-IR
1/2" 3.5-10mm F1.6
AI/DC, Manual



LMVZ9020-IR
1/2" 9-20mm F1.6
AI/DC, Manual



LMVZ4411
1/1.8" 4.4-11mm F1.6
Manual

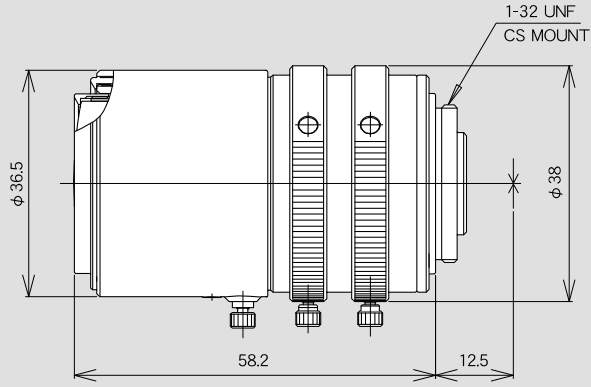


LMVZ1040
1/1.8" 10-40mm F1.6
Manual



LMVZ3510-IR

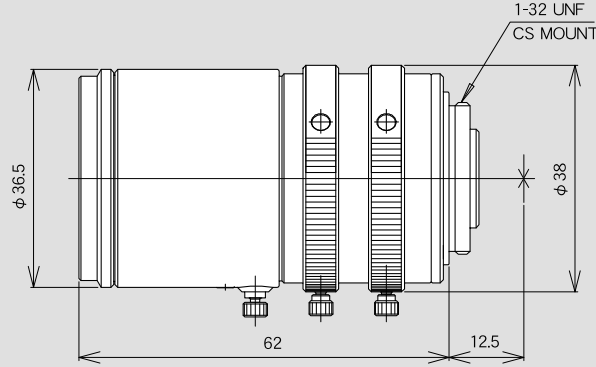
1/2" 3.5~10mm / F1.6



Day & Night

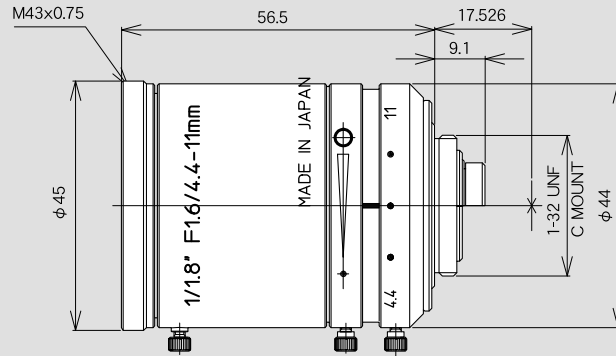
LMVZ9020-IR

1/2" 9~20mm / F1.6



LMVZ4411

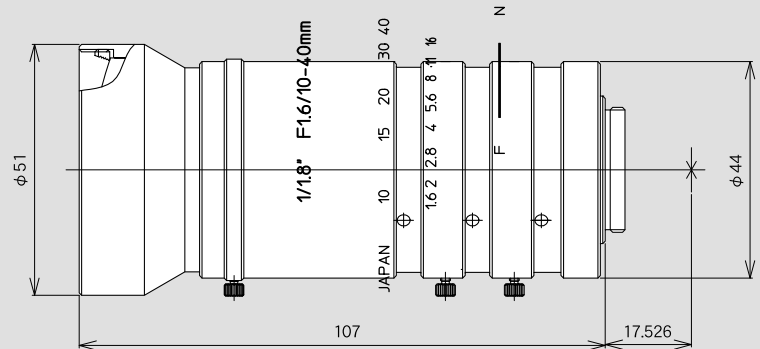
1/1.8" 4.4~11mm / F1.6



0 Distortion

LMVZ1040

1/1.8" 10~40mm / F1.6



SPECIFICATION

HD Multi-Mega Pixel Varifocal Lenses

Type	Day & Night		0 Distortion (Below 0.35%)	
Model No.	LMVZ3510-IR	LMVZ9020-IR	LMVZ4411	LMVZ1040
Format Size	1/2"	1/2"	1/1.8"	1/1.8"
Focal Length (mm)	3.5 - 10	9 - 20	4.4 - 11	10 - 40
Relative Aperture (F)	1:1.6 - 16 / 1:1.6 - 360	1:1.6 - 16 / 1:1.6 - 360	1 : 1.6 - 16	1 : 1.6 - 16
Iris	Manual / DC	Manual / DC	Manual	Manual
Horizontal Angle (°)	108.3 - 37.2	42.3 - 18.7	76.6 - 36.7	39.5 - 10.5
Minimum Object Distance (m)	0.2	0.5	0.3	0.5
Mount	CS	CS	C	C
Size (φ x L/mm)	36.5 x 58.2	36.5 x 62	45 x 56.5	51 x 107
Weight (g)	99	95	125	282